

B400

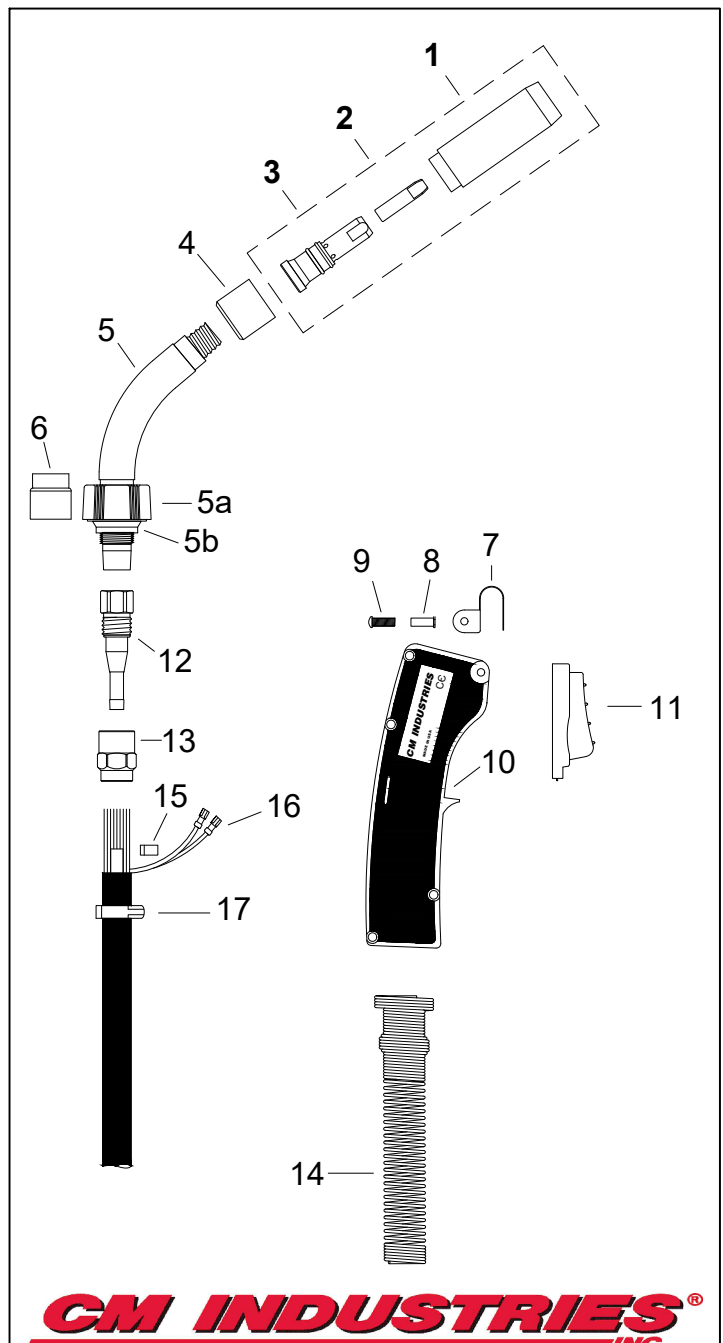
AIR-COOLED MIG GUN

Replacement Suitable for Bernard® BTB

**** For Gun Part Numbers See Configurator on Page 18 ****

RATING	Factory Installed Consumables			
	Style	Contact Tip	Diffuser	Nozzle
400 Amp CO2 @ 100% Duty Cycle 400 Amp Mixed Gas @ 60% Duty Cycle Wire Capacity: 0.035" (0.9mm) - 5/64" (2.0mm)	CM Taper-Lock™	155-1-xx	154-R505	152-30-62C
	Centerfire™	T-xxx	D-1	N-5818C
	Elliptical (Short)	B74xx	B4435	B4491
	Elliptical (Long)	B15xx	B4635	B4491
	Quik Tip™	T1xxx	D118Q	N1C58Q
	Tough Lock™	R403-20-xx	R404-26	R401-6-62

#	Consumable Options	
1-3.	CM Taper-LOCK™	See Pages 6-7
1-3.	Centerfire™	See Page 8
1-3.	Tough Lock™	See Pages 9-11
1-3.	Quik Tip™	See Page 12
1-3.	Elliptical	See Page 13
#	Part Number	Description
4.	B4423R B10012	Silicone Cap Silicone Cap for CM Taper-LOCK & Tough Lock Consumables
5.	BQT2-30 BQT2-45 BQT2-60 BQT2-80	Q Neck Assy., 30°, Short Q Neck Assy., 45°, Short Q Neck Assy., 60°, Short Q Neck Assy., 80°, Short
	BQT3-30 BQT3-45 BQT3-60 BQT3-80	Q Neck Assy., 30°, Medium Q Neck Assy., 45°, Medium, Most Common Q Neck Assy., 60°, Medium Q Neck Assy., 80°, Medium
	BQT5-30 BQT5-45 BQT5-60 BQT5-80	Q Neck Assy., 30°, Long Q Neck Assy., 45°, Long Q Neck Assy., 60°, Long Q Neck Assy., 80°, Long
5a.	B1840057	Plastic Lock Nut
5b.	B1840031	Silicone Rubber Seal
6.	B4780	Insulator Hex Nut, Optional
7.	B4238	Hook, Optional
8.	B4207	Post Fastener
9.	B4209 B1880004	Handle Screw Screw/Post Kit (5 each)
10.	B1880198	Handle Kit w/ Posts & Screws
11.	B5662	Trigger Assembly
12.	B1680086	End Fitting
13.	B1540003	Cone Nut
14.	B2520042	Handle Spring
15.	B4992	Clamp, Conduit
16.	B2660001	Trigger Terminal
17.	B683	Clamp, Jacket



CM INDUSTRIES®
INC.

COPYRIGHT © 2025 CM INDUSTRIES, INC. ALL RIGHTS RESERVED

#	Part Number	Description
18.	B2520041-S	Strain Relief Spring
19.	B2520066	Strain Relief Kit
20.	B2280056	Support Screw
21.	B1680088	End Fitting, Rear, w/ Male Thread
22.	300-05-001	Electrical Plug, Miller
23.	300-05-002	Electrical Plug, Lincoln LF, LN, Power Feed
24.	R414-400CM	Adaptor Block
25.	R214-1	Power Pin w/ O-Rings, Miller
26.	R214-116	Power Pin Cap, Miller .035" - 1/16"
	R214-332	Power Pin Cap, Miller 5/64" - 3/32"
27.	R414-11-2	O-Ring, Miller
28.	R214	Power Pin w/ O-Rings, Tweco #4
29.	C224	O-Ring, Tweco #4
30.	C44C	Set Screw
31.	R214-2	Power Pin, Lincoln LN
32.	B8631	Gas Hose Nipple
33.	401-00-001	Euro Connector Nut
34.	B5060T	Euro Connector Plug
35.	285-00-002	O-Ring, Euro
36.	B1880074	Rigid Strain Relief Kit
37.	B4925	Locking Sleeve
38.	B4901	Quick Connect Body
39.	B4924	Lead Wire
40.	B4919	Gas Pin Assembly
41.	B4916	Wave Spring
42.	B4912	Snap Ring, Small
43.	B4911	Snap Ring, Large
44.	B2200140	Power Pin, Bernard EZ
	B1880259B	Bernard Quick Disconnect Kit (Items 37-44)
45.	L2A-15	Liner Assembly, 15', .030" - .035"
	L3A-15	Liner Assembly, 15', .035" - .045"
	L4A-15	Liner Assembly, 15', .045" - 1/16"
	L6A-15	Liner Assembly, 15', 5/64" - 3/32"
	L2A-25	Liner Assembly, 25', .030" - .035"
	L3A-25	Liner Assembly, 25', .035" - .045"
	L4A-25	Liner Assembly, 25', .045" - 1/16"
	L6A-25	Liner Assembly, 25', 5/64" - 3/32"

