

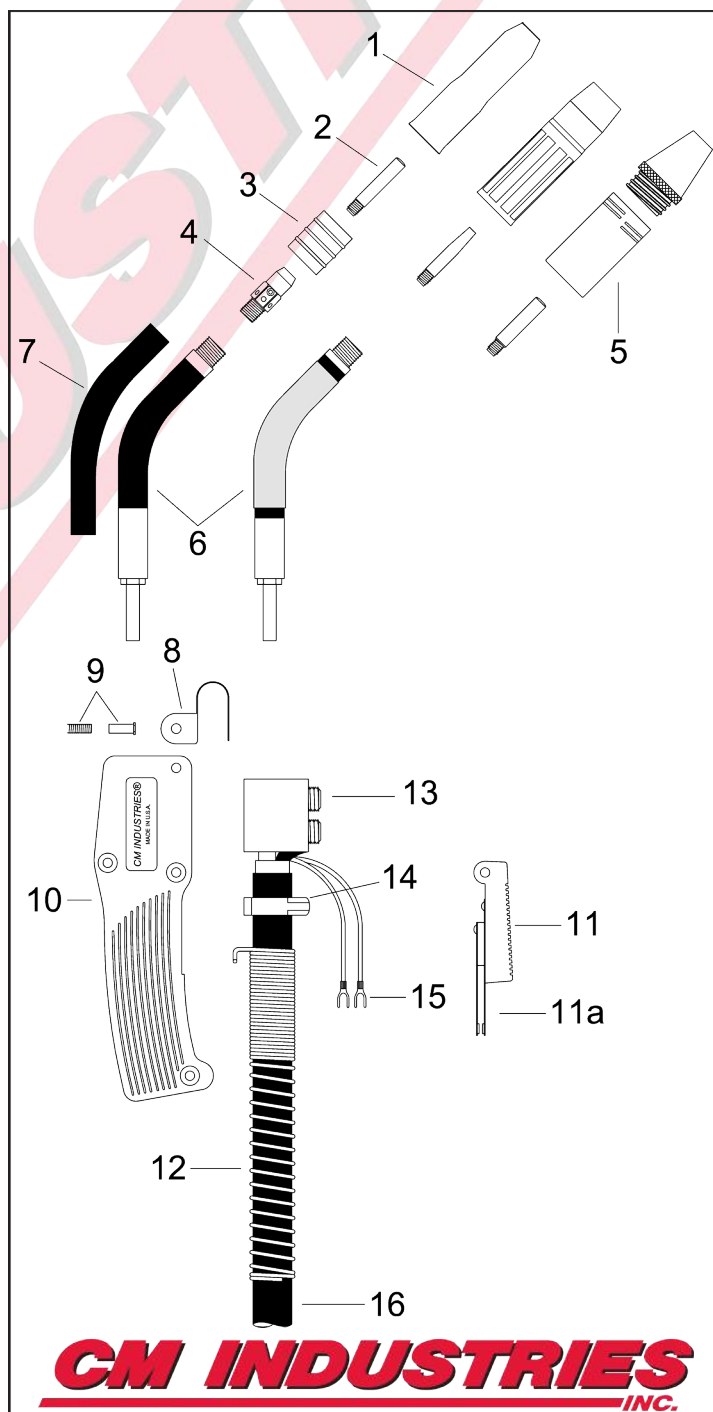
TWC 400

AIR-COOLED MIG GUN

Replacement Suitable for Tweco®

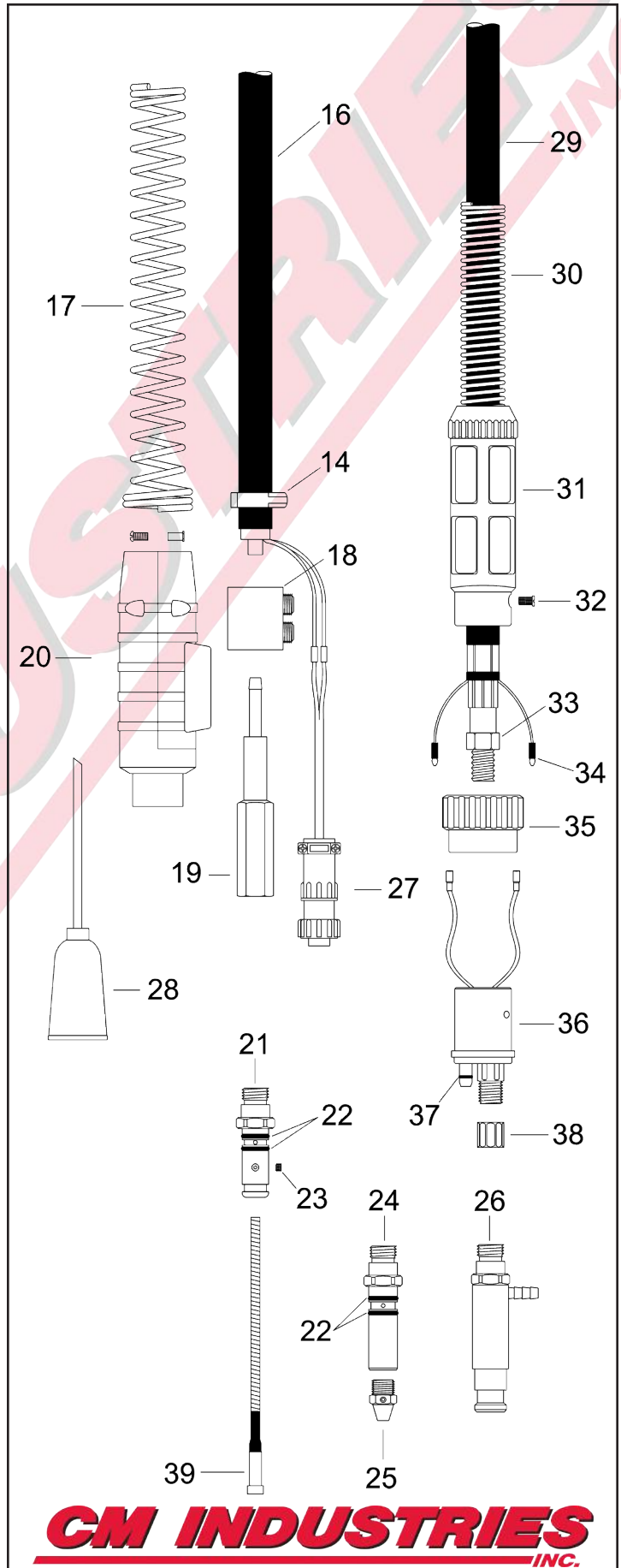
RATING	GUN ORDERING PART NUMBER	POWER PIN Direct Connect
400 Amp CO2 @ 80% Duty Cycle 300 Amp Mixed Gas @ 80% Duty Cycle Wire Capacity: 0.030" (0.8mm) - 5/64" (2.0mm)	C4xx-3545 CX4xx-3545 CH4xx-3545 CL4xx-3545 CLPM4xx-3545 CLF4xx-3545 CM4xx-3545 CP4xx-3545 <small>xx = Standard lengths of 10, 12, 15, 20, and 25 ft. Custom lengths also available.</small>	Tweco® #4 Euro Hobart® Lincoln® "LN" Lincoln® Power MIG™ Lincoln® "LF" Miller® Panasonic®

#	Part Number	Description	
1.	C24A-50	Nozzle, 1/2" I.D. Adjustable	
	C24A-62	Nozzle, 5/8" I.D. Adjustable, Std.	
	C24A-75	Nozzle, 3/4" I.D. Adjustable	
	C24A-37-SS	Nozzle, 3/8" I.D. Short Stop	
	C24A-50-SS	Nozzle, 1/2" I.D. Short Stop	
	C24A-62-SS	Nozzle, 5/8" I.D. Short Stop	
	C24A-75-SS	Nozzle, 3/4" I.D. Short Stop	
	C24AT-37-SS	Nozzle, Tapered, 3/8" I.D. Short Stop	
	C23-37	Nozzle, Self Insulated, 3/8" I.D.	
	C23-50	Nozzle, Self Insulated, 1/2" I.D.	
	C23-62	Nozzle, Self Insulated, 5/8" I.D.	
	C23-75	Nozzle, Self Insulated, 5/8" I.D.	
	C23T-37	Nozzle, Tapered, Self Insulated, 3/8" I.D.	
	C24CT-37-S	Nozzle, Coarse Thread, 3/8" I.D.	
	C24CT-50-S	Nozzle, Coarse Thread, 1/2" I.D.	
	C24CT-62-S	Nozzle, Coarse Thread, 5/8" I.D.	
	C24CT-75-S	Nozzle, Coarse Thread, 3/4" I.D.	
	2.	C14-30	Contact Tip, .030" 0.8mm
		C14-35	Contact Tip, .035" 0.9mm, Std.
		C14-40	Contact Tip, .040" 1.0mm
		C14-45	Contact Tip, .045" 1.2mm
C14-52		Contact Tip, .052" 1.4mm	
C14-116		Contact Tip, 1/16" 1.6mm	
C14A-364		Contact Tip, Aluminum, 3/64"	
C14H-35		Contact Tip, H.D., .035" 0.9mm	
C14H-40		Contact Tip, H.D., .040" 1.0mm	
C14H-45		Contact Tip, H.D., .045" 1.2mm	
C14H-52		Contact Tip, H.D., .052" 1.4mm	
C14H-116		Contact Tip, H.D., 1/16" 1.6mm	
C14AH-364		Contact Tip, H.D., Aluminum, 3/64"	
C14AH-116		Contact Tip, H.D., Aluminum, 1/16"	
C14T-30		Contact Tip, Tapered, .030" 0.8mm	
C14T-35		Contact Tip, Tapered, .035" 0.9mm	
C14T-40		Contact Tip, Tapered, .040" 1.0mm	
C14T-45		Contact Tip, Tapered, .045" 1.2mm	
C14T-52	Contact Tip, Tapered, .052" 1.4mm		
C14T-116	Contact Tip, Tapered, 1/16" 1.6mm		
3.	C34A	Nozzle Insulator	
	4.	C54A	Gas Diffuser, Std.
	5.	C34CT	Nozzle Insulator
6.	C64J-45	Conductor Tube, Jacketed, 45°	
	C64J-60	Conductor Tube, Jacketed, 60°, Std.	
	C64J-80	Conductor Tube, Jacketed, 80°	
	C64J-180	Conductor Tube, Jacketed, 180°	



CM INDUSTRIES
INC.

#	Part Number	Description
6.	C64A-45	Conductor Tube, 45°
	C64A-60	Conductor Tube, 60°
	C64A-80	Conductor Tube, 80°
	C64A-180	Conductor Tube, 180°
7.	C74A	Neoprene Insulation
8.	C152	Gun Hanger
9.	C122FM	Binder Screw & Post
10.	C84A	Handle w/ Screws and Posts
11.	C92	Trigger Switch Assembly
11a.	C92C	Replacement Trigger Blades
12.	C144-6S	Cable Support Spring
13.	C104	Cable Connector Block Assembly
14.	C134-16	Power Cable Clamp
15.	C244	Control Wire Terminal
16.	C400-10	Power Cable, 10'
	C400-12	Power Cable, 12'
	C400-15	Power Cable, 15'
	C400-20	Power Cable, 20'
	C400-25	Power Cable, 25'
17.	C350R-230-10S	Cable Support Spring
18.	C104	Cable Connector Block Assembly
19.	CM170-4H	Connector Plug Adaptor
20.	CR6RC	Round Connector Case
21.	C350-174H	Gun Plug, Tweco®
22.	C224	O-Ring
23.	C44C	Set Screw
24.	C350-174MH	Gun Plug, Miller®
25.	C174M-N	Conduit Nut, Miller®
26.	C350-174LH	Gun Plug, Lincoln® "LN"
27.	300-05-001	Electrical Plug, Miller® & Lincoln® Power MIG
28.	300-05-002	Electrical Plug, Lincoln® LN & LF
29.	C400-10E	Euro Power Cable, 10'
	C400-12E	Euro Power Cable, 12'
	C400-15E	Euro Power Cable, 15'
	C400-20E	Euro Power Cable, 20'
	C400-25E	Euro Power Cable, 25'
30.	185-40-001	Cable Support Spring
31.	260-25-002	Adaptor Support, Euro
32.	285-01-001	Adaptor Support Screw
33.	290-01-012	Hex Nut, M12
34.	300-05-010	Male Terminal
35.	C174X-2	Adaptor Nut
36.	C174EX-1	Euro-Kwik Adaptor Assembly
37.	C174EX-1G	O-Ring, Euro
38.	C174EX-1C	Conduit Nut, Euro-Kwik
39.	C44-3545-15	Liner Assembly, 15', .035"-.045", Std.
	C44-3545-25	Liner Assembly, 25', .035"-.045"
	C44-116-15	Liner Assembly, 15', .062"
	C44-116-25	Liner Assembly, 25', .062"
	C44-564-15	Liner Assembly, 15', 5/64"
	C44-564-25	Liner Assembly, 25', 5/64"
	C44N-3545-15	Nylon Liner Assembly, 15', .035"-.045"
	C44N-116-15	Nylon Liner Assembly, 15', .062"



WARNING!

Please Read All Safety Instructions



WARNING

- Read and follow the manufacturer's instructions, employer's safety practices, and Material Safety Data Sheets (MSDSs).
- Only qualified personnel should install, use, or service this material and/or equipment.



ELECTRIC SHOCK can kill.

- Always wear dry installing gloves.
- Do not touch live electrical parts.
- Always disconnect power source before hooking up or changing electrodes, nozzles and other parts.



WELDING SPARKS can cause fire or explosion

- Do not weld near flammable material.
- Do not weld on closed containers.
- Remove combustibles from the work area and/or provide a fire watch.
- Avoid oily or greasy clothing as a spark may ignite them.



LOUD NOISE can damage hearing.

- Always wear protective hearing devices to ensure protection when noise levels exceed OSHA standards.



ARC RAYS can injure eyes and burn skin.

- Always wear correct eye, ear, and body protection.
- Always wear a welding helmet with the proper grade filter lens. Protect yourself and others from spatter arc rays by using protective screens, barriers and welding curtains.
- Always wear protective gloves and clothing to cover exposed skin. This will aid in the prevention of arc and spatter burns.



FUMES AND GASES can be hazardous to your health.

- Keep your head out of the fumes.
- Use enough ventilation or exhaust at the arc to keep fumes and gases from your breathing zone, and general area.
- Fumes from cutting and welding can deplete air quality, causing injury or death. Always wear an air supplied respirator in confined areas, or if breathing air is not safe.

Read America Nation Standard Z49.1, "Safety in Welding, Cutting, and Allied Processes," available from America Welding Society, 550 N.W. LeJeune Rd., Miami, FL 33126;

OSHA Safety and health standards, available from U.S. Government Printing Office, Washington DC 20402

CM INDUSTRIES

INC.

505 OAKWOOD ROAD LAKE ZURICH, IL 60047

PH: 847-550-0033 FX: 847-550-0444

www.cmindustries.com