

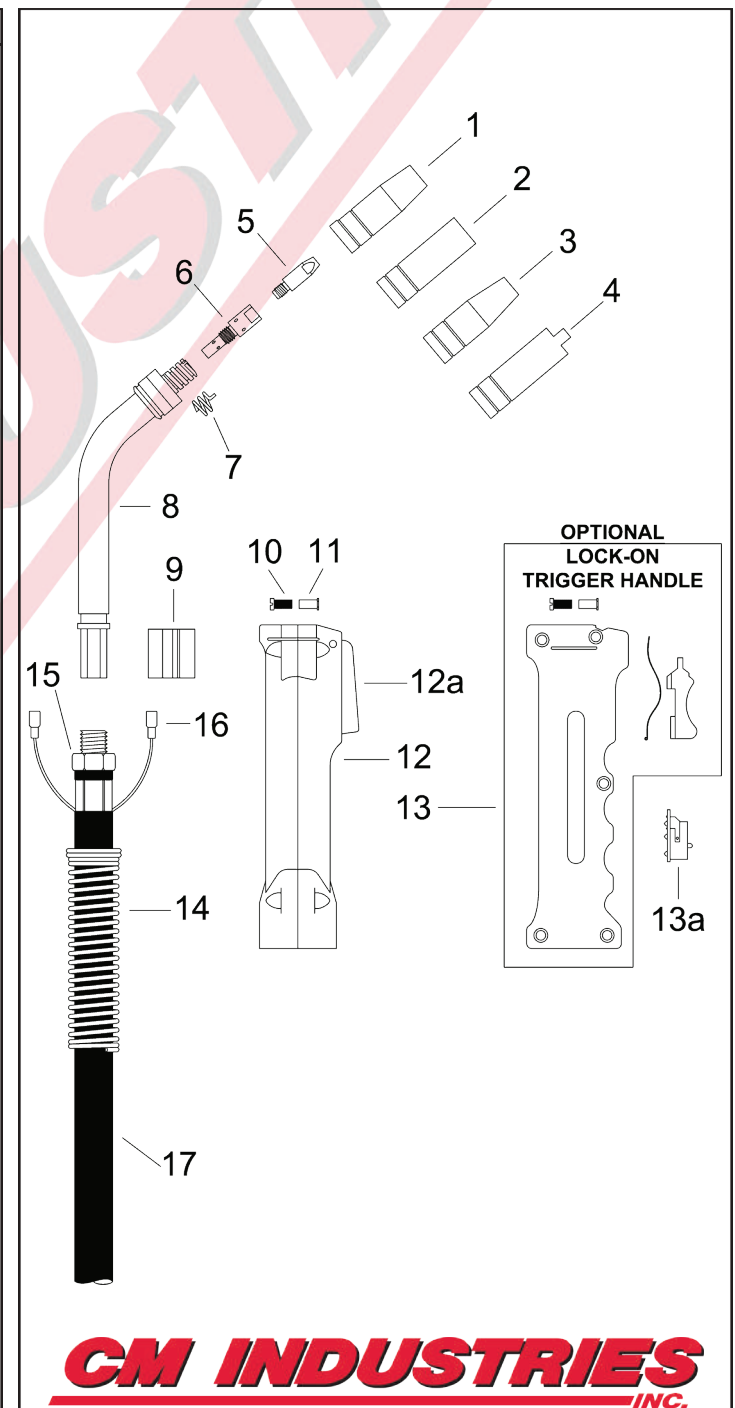
BNZ 26A

AIR-COOLED MIG GUN

Replacement Suitable for Binzel®

RATING	GUN ORDERING PART NUMBER	POWER PIN Direct Connect
290 Amp CO2 @ 60% Duty Cycle 260 Amp Mixed Gas @ 60% Duty Cycle Wire Capacity: 0.030" (0.8mm) - 0.045" (1.2mm)	700-26-0xx	Euro
	700-26-Cxx	Century®
	700-26-Lxx	Lincoln® "LN"
	700-26-Rxx	Lincoln® Power MIG™
	700-26-Mxx	Miller®
	700-26-Txx	Tweco® #4
xx = Standard lengths of 10, 12, 15, 20, and 25 ft. Custom lengths also available.		

#	Part Number	Description
1.	165-52-001	Nozzle, Conical, 5/8" I.D., Std.
2.	165-52-002	Nozzle, Cylindrical, 3/4" I.D.
	165-52-003	Nozzle, Spot, 3/4"
3.	165-52-011	Nozzle, Conical Small, 9/16" I.D.
	165-52-111	Nozzle, Conical Super Small, 7/16" I.D.
4.	150-06-120	Contact Tip, M6, .024" 0.6mm
	150-08-120	Contact Tip, M6, .030" 0.8mm
	150-09-120	Contact Tip, M6, .035" 0.9mm, Std.
	150-10-120	Contact Tip, M6, .040" 1.0mm
	150-12-120	Contact Tip, M6, .045" 1.2mm
	150-14-120	Contact Tip, M6, .052" 1.4mm
	150-16-120	Contact Tip, M6, 1/16" 1.6mm
5.	160-06-026	Contact Tip Holder, M6, Std.
	160-08-026	Contact Tip Holder, M8, H.D.
6.	160-06-126	Contact Tip Holder, Long, M6
	160-08-126	Contact Tip Holder, Long, M8, H.D.
7.	046-26-001	Insulator/Gas Diffuser, Std.
8.	051-26-050	Swan Neck, 50°
9.	047-00-100	Body Insulator
10.	170-66-005	Handle Screw
11.	170-66-009	Handle Post
12.	170-66-002	Handle, Complete w/ Screws & Posts
12a.	170-66-000	Trigger Only
	185-66-003	Replacement Switch Assembly
13.	170-66-102	Handle Assembly w/ Locking Trigger (Optional)
13a.	185-66-023	Micro Switch for Locking Trigger
14.	185-26-001	Cable Support Spring
15.	290-01-010	Hex Nut
16.	300-05-004	Trigger Wire Connector, Large
17.	210-25-010	Power Cable, 10'
	210-25-012	Power Cable, 12'
	210-25-015	Power Cable, 15'
	210-25-020	Power Cable, 20'
	210-25-025	Power Cable, 25'



#	Part Number	Description
18.	260-25-002	Adaptor Support
19.	285-01-001	Adaptor Support Screw
20.	300-05-010	Male Electrical Connector
21.	401-00-001	Adaptor Nut
22.	300-05-009	Female Electrical Connector
23.	401-02-014	Connector Block, Complete
24.	285-03-002	Male Pin w/ Lead
25.	285-00-002	O-Ring, Connector Block
26.	401-01-001	Liner Retaining Nut
27.	401-02-012	Connector Plug Block
28.	401-02-016	Connector Plug, Hobart/Tweco/Lincoln P.M.
29.	C224	O-Ring
30.	401-01-004	Liner Retaining Plug
31.	401-02-017	Connector Plug, Miller
32.	M079-974	O-Ring, Miller
33.	401-01-002	Liner Nut, Miller
34.	401-02-015	Connector Plug, Lincoln
35.	300-05-001	Electrical Plug, Miller
36.	300-05-002	Electrical Plug, Lincoln
37.	241-26-016 241-22-016	Liner #26, 15', .023"-.035" Liner #22, 15', .035"-.045"
38.	255-18-010 255-18-012 255-18-015	Teflon Liner #18, 10', .023"-.035" Teflon Liner #18, 12', .023"-.035" Teflon Liner #18, 15', .023"-.035"
	255-10-010 255-10-012 255-10-015	Teflon Liner #10, 10', .035"-.045" Teflon Liner #10, 12', .035"-.045" Teflon Liner #10, 15', .035"-.045"
	255-05-010 255-05-012 255-05-015	Teflon Liner #5, 10', .045"-1/16" Teflon Liner #5, 12', .045"-1/16" Teflon Liner #5, 15', .045"-1/16"
39.	259-10-001	Repl. Collet, Teflon Liner #10 & #18
40.	285-00-003	Repl. O-Ring

