

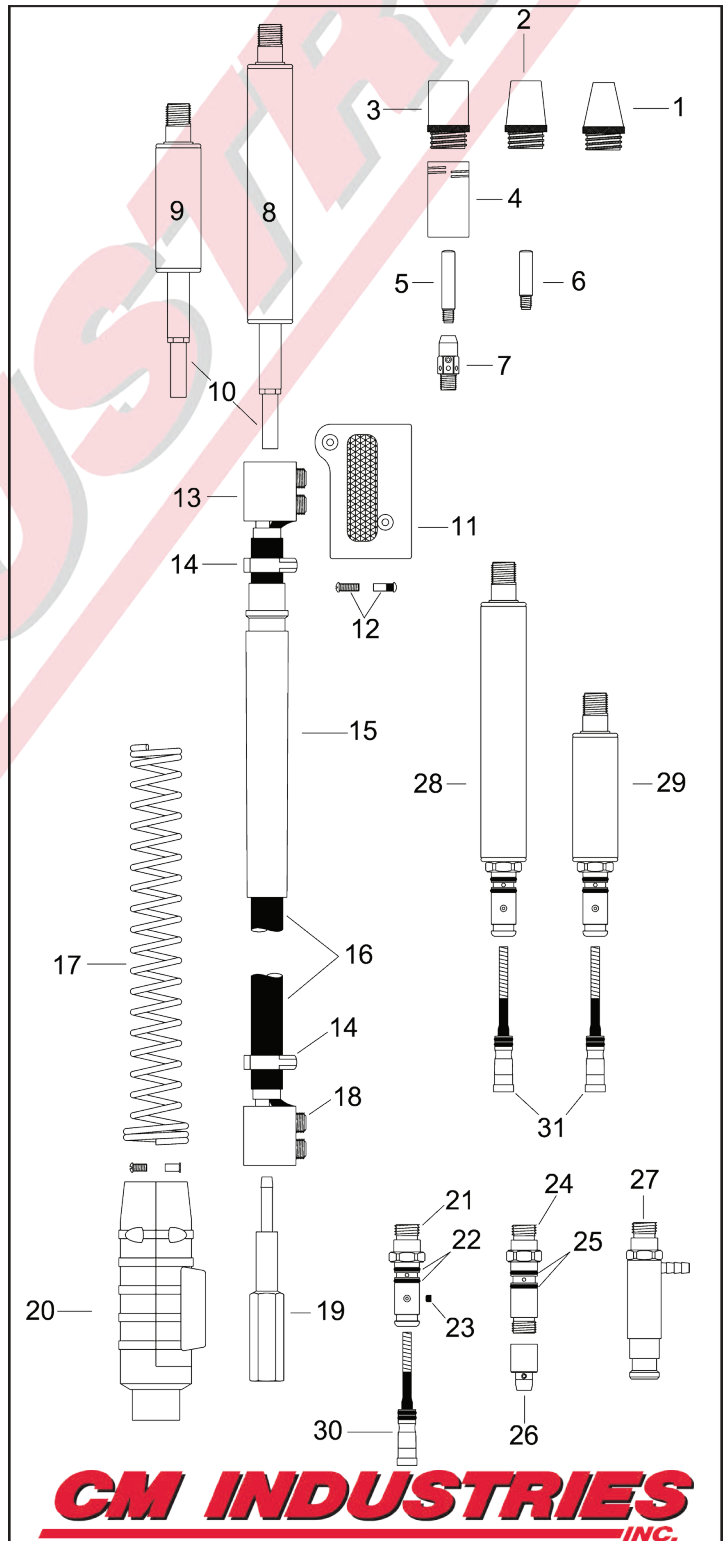
TWC 500AUTO

AIR-COOLED MIG GUN

Replacement Suitable for Tweco®

RATING	GUN ORDERING PART NUMBER	POWER PIN Direct Connect
500 Amp CO2 @ 80% Duty Cycle 400 Amp Mixed Gas @ 80% Duty Cycle Wire Capacity: 0.035" (0.9mm) - 7/64" (2.8mm)	CTAM5xx-116 CXTAM5xx-116 CLTAM5xx-116 CMTAM5xx-116	Tweco® #5 Euro Lincoln® "LN" Miller®
	xx = Standard lengths of 4, 6, 8, and 10 ft. Custom lengths also available.	

#	Part Number	Description
1.	C25CT-50-S	Nozzle, Coarse Thread, 1/2" I.D.
2.	C25CT-62-S	Nozzle, Coarse Thread, 5/8" I.D.
3.	C25CT-75-S	Nozzle, Coarse Thread, 3/4" I.D.
4.	C35CT	Nozzle Insulator, Std.
5.	C15H-35	Contact Tip, H.D., .035" 0.9mm
	C15H-40	Contact Tip, H.D., .040" 1.0mm
	C15H-45	Contact Tip, H.D., .045" 1.2mm
	C15H-52	Contact Tip, H.D., .052" 1.4mm
	C15H-116	Contact Tip, H.D., 1/16" 1.6mm
	C15H-564	Contact Tip, H.D., 5/64" 2.0mm
	C15H-332	Contact Tip, H.D., 3/32" 2.4mm
	C15H-764	Contact Tip, H.D., 7/64" 2.8mm
6.	C15HFC-45	Contact Tip, H.D., .045" 1.2mm
	C15HFC-52	Contact Tip, H.D., .052" 1.4mm
	C15HFC-116	Contact Tip, H.D., 1/16" 1.6mm
	C15HFC-564	Contact Tip, H.D., 5/64" 2.0mm
	C15HFC-332	Contact Tip, H.D., 3/32" 2.4mm
	C15HFC-764	Contact Tip, H.D., 7/64" 2.8mm
7.	C55SW	Gas Diffuser, .035"-1/16", Std.
	C55	Gas Diffuser, 5/64"
	C55H	Gas Diffuser, 3/32"-7/64"
8.	C65TAM-N	TWC500 AUTO Body w/ Nipple, Std.
9.	C65STAM-N	TWC500 AUTO Body w/ Nipple, Short
10.	C65N	Gas Hose Nipple
11.	C185	Connector Case w/ Screws
12.	C125FM	Binder Post & Screw
13.	C104	Cable Connector Block Assembly
14.	C134-16	Power Cable Clamp
15.	C235-12	Cable Support, Rubber 12"
16.	C500-04	Power Cable, 4'
	C500-06	Power Cable, 6'
	C500-08	Power Cable, 8'
	C500-10	Power Cable, 10'
17.	C350R-230-10S	Cable Support Spring
18.	C104	Cable Connector Block Assembly
19.	CM170-5H	Connector Plug Adaptor
20.	CR6RC	Round Connector Case
21.	C176S-H	Gun Plug, Tweco® #5
22.	C225	O-Ring For #5
23.	C44C	Set Screw
24.	CEL176-MH	Gun Plug, Miller®
25.	C224	O-Ring
26.	C175M-N	Conduit Nut, Miller®
27.	CEL176-LH	Gun Plug, Lincoln® "LN"
28.	C65TAM-175	TWC500 AUTO Body, Direct Mount
29.	C65STAM-175	TWC500 AUTO Short Body, Direct Mount
30.	C45-3545-15	Liner Assembly, 15', .035"-.045", Std.
	C45-116-15	Liner Assembly, 15', 1/16"
	C45-564-15	Liner Assembly, 15', 5/64"
	C45H-332-15	Liner Assembly, 15', 3/32"
	C45H-764-15	Liner Assembly, 15', 7/64"
31.	C45-3545-1	Liner Assembly, 1', .035"-.045"
	C45-116-1	Liner Assembly, 1', 1/16"
	C45-564-1	Liner Assembly, 1', 5/64"
	C45H-332-1	Liner Assembly, 1', 3/32"
	C45H-764-1	Liner Assembly, 1', 7/64"



CM INDUSTRIES
INC.