

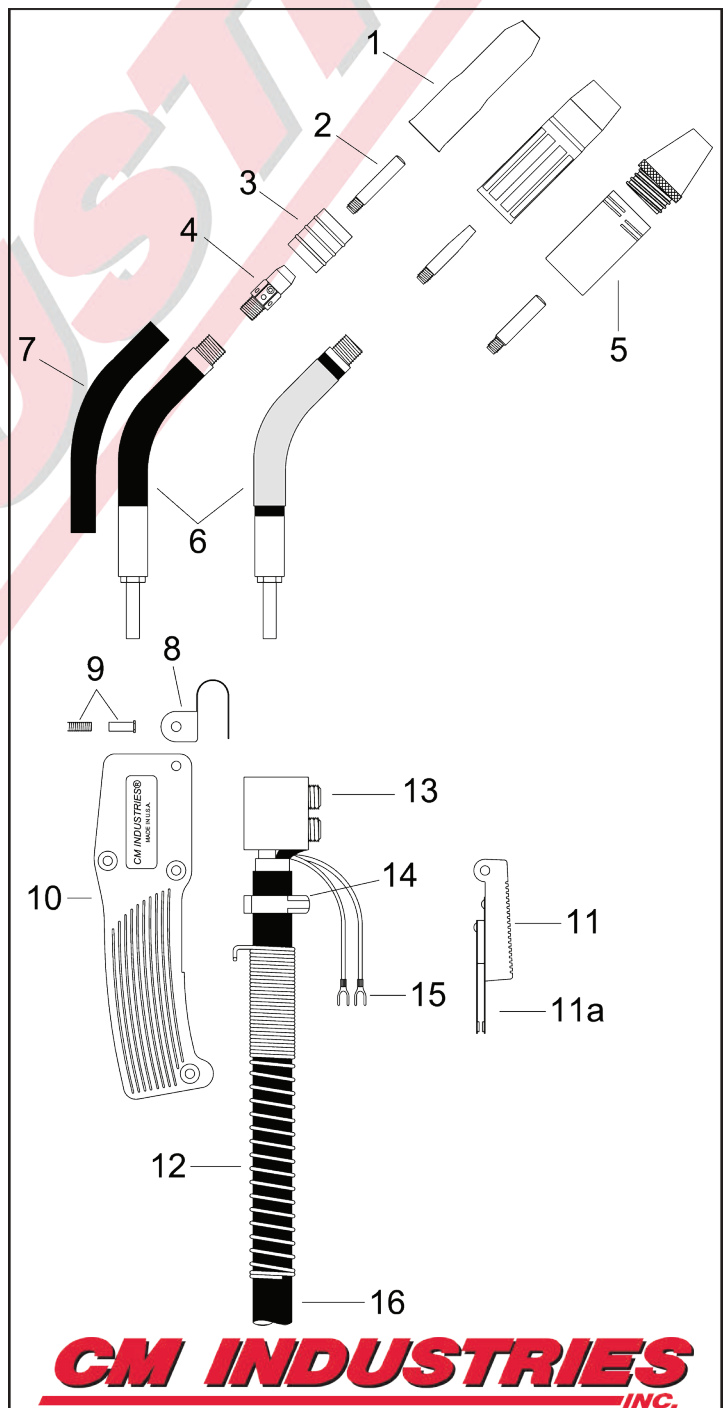
TWC 300

AIR-COOLED MIG GUN

Replacement Suitable for Tweco®

RATING	GUN ORDERING PART NUMBER	POWER PIN Direct Connect
300 Amp CO2 @ 80% Duty Cycle 200 Amp Mixed Gas @ 80% Duty Cycle Wire Capacity: 0.030" (0.8mm) - 1/16" (1.6mm)	C3xx-3545 CX3xx-3545 CH3xx-3545 CL3xx-3545 CLPM3xx-3545 CLF3xx-3545 CM3xx-3545 CP3xx-3545 <small>xx = Standard lengths of 10, 12, 15, 20, and 25 ft. Custom lengths also available.</small>	Tweco® #4 Euro Hobart® Lincoln® "LN" Lincoln® Power MIG™ Lincoln® "LF" Miller® Panasonic®

#	Part Number	Description	
1.	C24A-50	Nozzle, 1/2" I.D. Adjustable	
	C24A-62	Nozzle, 5/8" I.D. Adjustable, Std.	
	C24A-75	Nozzle, 3/4" I.D. Adjustable	
	C24A-37-SS	Nozzle, 3/8" I.D. Short Stop	
	C24A-50-SS	Nozzle, 1/2" I.D. Short Stop	
	C24A-62-SS	Nozzle, 5/8" I.D. Short Stop	
	C24A-75-SS	Nozzle, 3/4" I.D. Short Stop	
	C24AT-37-SS	Nozzle, Tapered, 3/8" I.D. Short Stop	
	C23-37	Nozzle, Self Insulated, 3/8" I.D.	
	C23-50	Nozzle, Self Insulated, 1/2" I.D.	
	C23-62	Nozzle, Self Insulated, 5/8" I.D.	
	C23-75	Nozzle, Self Insulated, 5/8" I.D.	
	C23T-37	Nozzle, Tapered, Self Insulated, 3/8" I.D.	
	C24CT-37-S	Nozzle, Coarse Thread, 3/8" I.D.	
	C24CT-50-S	Nozzle, Coarse Thread, 1/2" I.D.	
	C24CT-62-S	Nozzle, Coarse Thread, 5/8" I.D.	
	C24CT-75-S	Nozzle, Coarse Thread, 3/4" I.D.	
	2.	C14-30	Contact Tip, .030" 0.8mm
		C14-35	Contact Tip, .035" 0.9mm, Std.
		C14-40	Contact Tip, .040" 1.0mm
		C14-45	Contact Tip, .045" 1.2mm
C14-52		Contact Tip, .052" 1.4mm	
C14-116		Contact Tip, 1/16" 1.6mm	
C14A-364		Contact Tip, Aluminum, 3/64"	
C14H-35		Contact Tip, H.D., .035" 0.9mm	
C14H-40		Contact Tip, H.D., .040" 1.0mm	
C14H-45		Contact Tip, H.D., .045" 1.2mm	
C14H-52		Contact Tip, H.D., .052" 1.4mm	
C14H-116		Contact Tip, H.D., 1/16" 1.6mm	
C14AH-364		Contact Tip, H.D., Aluminum, 3/64"	
C14AH-116		Contact Tip, H.D., Aluminum, 1/16"	
C14T-30		Contact Tip, Tapered, .030" 0.8mm	
C14T-35		Contact Tip, Tapered, .035" 0.9mm	
C14T-40		Contact Tip, Tapered, .040" 1.0mm	
C14T-45		Contact Tip, Tapered, .045" 1.2mm	
C14T-52	Contact Tip, Tapered, .052" 1.4mm		
C14T-116	Contact Tip, Tapered, 1/16" 1.6mm		
3.	C34A	Nozzle Insulator	
	C54A	Gas Diffuser, Std.	
	C34CT	Nozzle Insulator	
6.	C63J-45	Conductor Tube, Jacketed, 45°	
	C63J-60	Conductor Tube, Jacketed, 60°, Std.	
	C63J-80	Conductor Tube, Jacketed, 80°	
	C63J-180	Conductor Tube, Jacketed, 180°	
	C63-45	Conductor Tube, 45°	
	C63-60	Conductor Tube, 60°	
	C63-80	Conductor Tube, 80°	
	C63-180	Conductor Tube, 180°	



CM INDUSTRIES
INC.

#	Part Number	Description
7.	C74A	Neoprene Insulation
8.	C152	Gun Hanger
9.	C122FM	Binder Screw & Post
10.	C83	Handle w/ Screws and Posts
11.	C92	Trigger Switch Assembly
11a.	C92C	Replacement Trigger Blades
12.	C142-6S	Cable Support Spring
13.	C102	Cable Connector Block Assembly
14.	C134-16	Power Cable Clamp
15.	C244	Control Wire Terminal
16.	C300-10 C300-12 C300-15 C300-20 C300-25	Power Cable, 10' Power Cable, 12' Power Cable, 15' Power Cable, 20' Power Cable, 25'
17.	C350R-230-10S	Cable Support Spring
18.	C104	Cable Connector Block Assembly
19.	CM170-4H	Connector Plug Adaptor
20.	CR6RC	Round Connector Case
21.	C350-174H	Gun Plug, Tweco®
22.	C224	O-Ring
23.	C44C	Set Screw
24.	C350-174MH	Gun Plug, Miller®
25.	C174M-N	Conduit Nut, Miller®
26.	C350-174LH	Gun Plug, Lincoln® "LN"
27.	300-05-001	Electrical Plug, Miller® & Lincoln® Power MIG
28.	300-05-002	Electrical Plug, Lincoln® LN & LF
29.	C300-10E C300-12E C300-15E C300-20E C300-25E	Euro Power Cable, 10' Euro Power Cable, 12' Euro Power Cable, 15' Euro Power Cable, 20' Euro Power Cable, 25'
30.	185-40-001	Cable Support Spring
31.	260-25-002	Adaptor Support, Euro
32.	285-01-001	Adaptor Support Screw
33.	290-01-012	Hex Nut, M12
34.	300-05-010	Male Terminal
35.	C174X-2	Adaptor Nut
36.	C174EX-1	Euro-Kwik Adaptor Assembly
37.	C174EX-1G	O-Ring, Euro
38.	C174EX-1C	Conduit Nut, Euro-Kwik
39.	C44-3545-15 C44-3545-25	Liner Assembly, 15', .035"-.045", Std. Liner Assembly, 25', .035"-.045"
	C44-116-15 C44-116-25	Liner Assembly, 15', .062" Liner Assembly, 25', .062"
	C44-564-15 C44-564-25	Liner Assembly, 15', 5/64" Liner Assembly, 25', 5/64"
	C44N-3545-15 C44N-116-15	Nylon Liner Assembly, 15', .035"-.045" Nylon Liner Assembly, 15', .062"

