

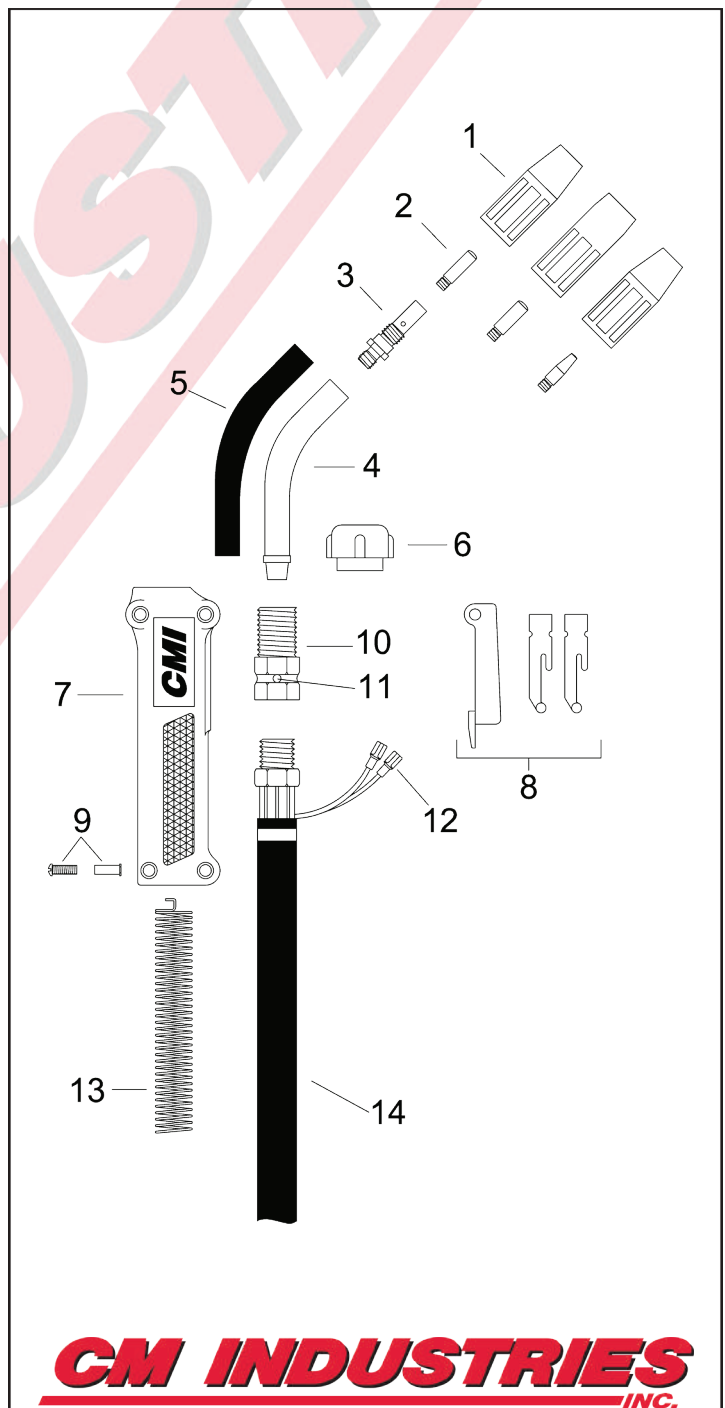
TWC 180

AIR-COOLED MIG GUN

Replacement Suitable for Tweco®

RATING	GUN ORDERING PART NUMBER	POWER PIN Direct Connect
180 Amp CO2 @ 80% Duty Cycle 120 Amp Mixed Gas @ 80% Duty Cycle Wire Capacity: 0.023" (0.6mm) - 0.045" (1.2mm)	C1xx-3035 CC1xx-3035 CX1xx-3035 CH1xx-3035 CL1xx-3035 CLPM1xx-3035 CM1xx-3035 CP1xx-3035	Tweco® #4 Century® Euro Hobart® Lincoln® "LN" Lincoln® Power MIG™ Miller® Panasonic®
xx = Standard lengths of 10, 12, 15, 20, and 25 ft. Custom lengths also available.		

#	Part Number	Description
1.	C21-50	Nozzle, 1/2" I.D., Std.
	C21-50-F	Nozzle, 1/2" I.D. Flush
	C21-62	Nozzle, 5/8" I.D.
	C21-62-F	Nozzle, 5/8" I.D. Flush
	C21-62-FAS	Nozzle, Spot Nozzle
	C21-37	Nozzle, 3/8" I.D.
	C21-37-F	Nozzle, 3/8" I.D. Flush
	C21T-37	Nozzle, Tapered 3/8" I.D.
	C21T-37-F	Nozzle, Tapered 3/8" I.D. Flush
	2.	C11-23
C11-30		Contact Tip, .030" 0.8mm
C11-35		Contact Tip, .035" 0.9mm, Std.
C11-40		Contact Tip, .040" 1.0mm
C11-45		Contact Tip, .045" 1.2mm
C11H-35		Contact Tip, H.D., .035" 0.9mm
C11H-45		Contact Tip, H.D., .045" 1.2mm
C11AH-364		Contact Tip, H.D., Aluminum, 3/64"
C11T-23		Contact Tip, Tapered, .023" 0.6mm
C11T-30		Contact Tip, Tapered, .030" 0.8mm
C11T-35	Contact Tip, Tapered, .035" 0.9mm	
C11T-40	Contact Tip, Tapered, .040" 1.0mm	
C11T-45	Contact Tip, Tapered, .045" 1.2mm	
3.	C51	Gas Diffuser, Std.
	C51-23	Gas Diffuser, For .023" Wire
4.	C61-45	Conductor Tube, 45°
	C61-60	Conductor Tube, 60°, Std.
	C61-180	Conductor Tube, 180° (Includes Items 4 & 5)
5.	C71	Conductor Tube Insulation
6.	C61R	Conductor Tube Nut
7.	C81	Handle w/ Screws, TWC 180
8.	C91	Trigger Switch w/ Blades
9.	C122FM	Binder Post & Screw
10.	C101CM	Cable Connector
11.	C44C	Replacement Set Screw
12.	C244DS	Control Wire Terminal
13.	C141-6S	Power Cable Support Spring
14.	C180-10	Power Cable, 10'
	C180-12	Power Cable, 12'
	C180-15	Power Cable, 15'
	C180-20	Power Cable, 20'
	C180-25	Power Cable, 25'



CM INDUSTRIES
INC.

#	Part Number	Description
15.	C350R-230-10S	Cable Support Spring
16.	CR6RC	Round Connector Case
17.	C350-174H	Gun Plug, Tweco®
18.	C224	O-Ring
19.	C44C	Set Screw
20.	C350-174MH	Gun Plug, Miller®
21.	C174M-N	Conduit Nut, Miller®
22.	C350-174LH	Gun Plug, Lincoln® "LN"
23.	300-05-001	Electrical Plug, Miller® & Lincoln® Power MIG
24.	300-05-002	Electrical Plug, Lincoln® LN & LF
25.	C180-10E C180-12E C180-15E C180-20E C180-25E	Euro Power Cable, 10' Euro Power Cable, 12' Euro Power Cable, 15' Euro Power Cable, 20' Euro Power Cable, 25'
26.	185-26-001	Cable Support Spring
27.	260-25-002	Adaptor Support, Euro
28.	285-01-001	Adaptor Support Screw
29.	290-01-012	Hex Nut, M12
30.	300-05-010	Male Terminal
31.	C174X-2	Adaptor Nut
32.	C174EX-1	Euro-Kwik Adaptor Assembly
33.	C174EX-1G	O-Ring, Euro
34.	C174EX-1C	Conduit Nut, Euro-Kwik
35.	C42-23-15	Liner Assembly, 15' .023"
	C42-3035-15	Liner Assembly, 15' .030"-.035", Std.
	C42-3035-25	Liner Assembly, 25' .030"-.035"
	C42-4045-15	Liner Assembly, 15' .040"-.045"
	C42-4045-25	Liner Assembly, 25' .040"-.045"
	C42N-3545-15	Nylon Liner Assembly, 15' .035"-.045"

