

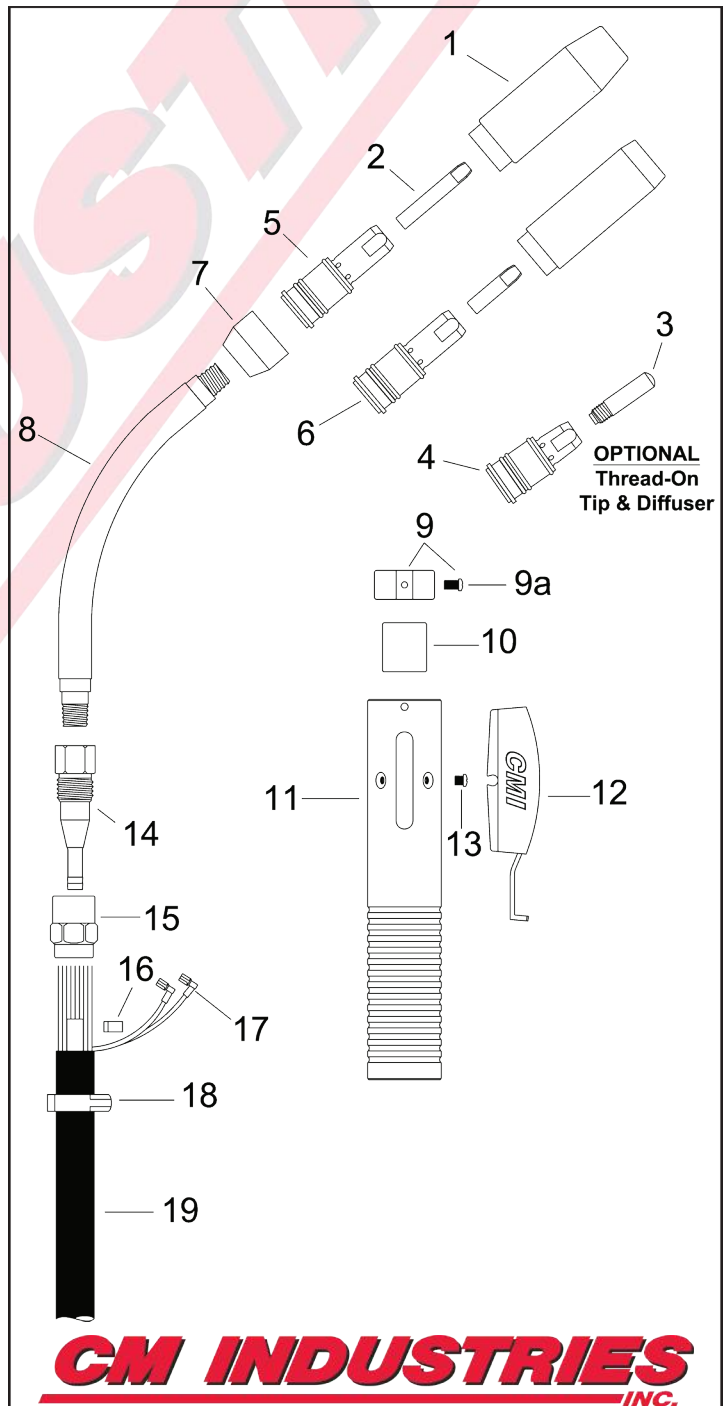
BND 400-H

AIR-COOLED MIG GUN

Replacement Suitable for Bernard®

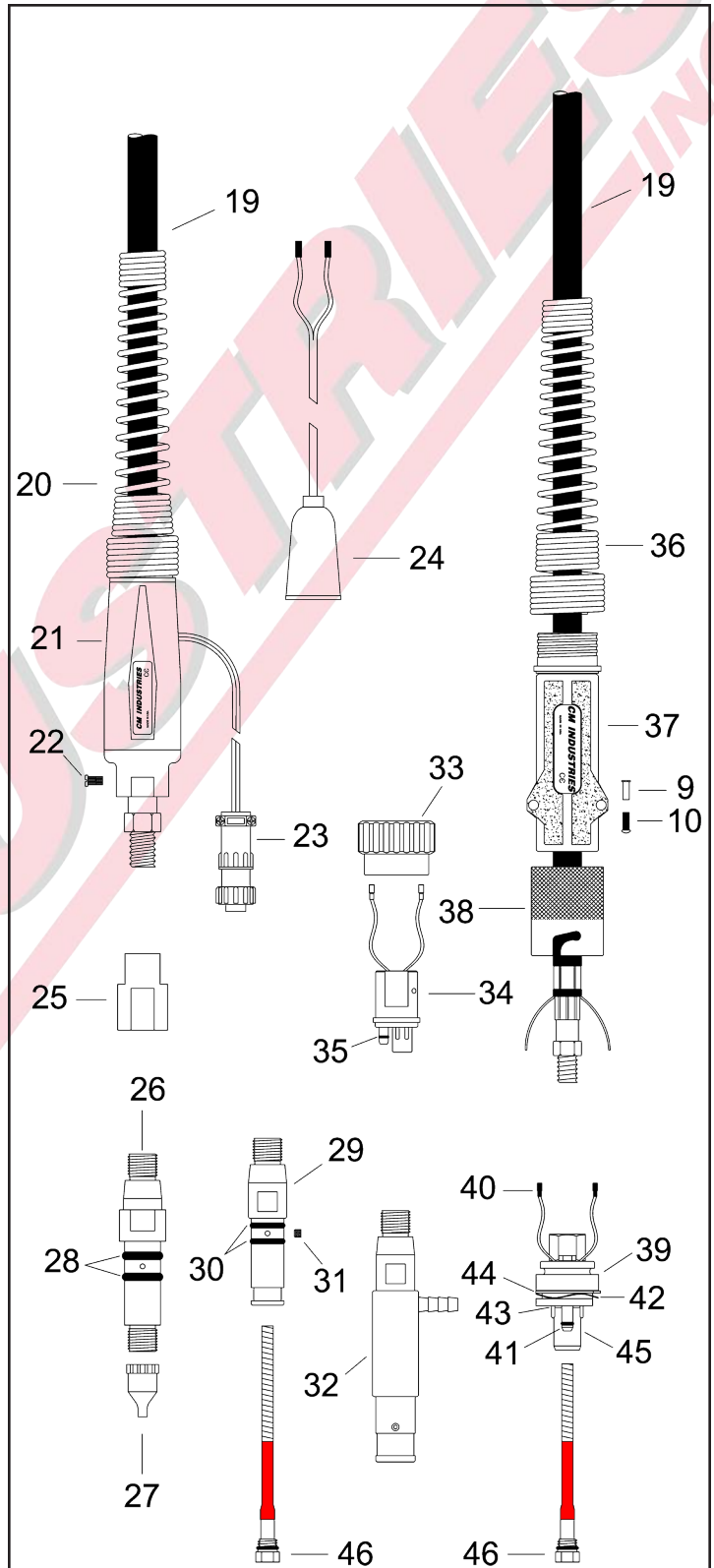
RATING	GUN ORDERING PART NUMBER		POWER PIN Direct Connect
	BOTTOM TRIGGER	TOP TRIGGER	
400 AMP CO2 @ 100% Duty Cycle	B54xxA	B54xxA-TT	Bernard® Euro Lincoln® "LN" Miller® Tweco®
350 Amp Mixed Gas @ 100% Duty Cycle	B54xxAE	B54xxAE-TT	
	B54xxAL	B54xxAL-TT	
	B54xxAM	B54xxAM-TT	
	B54xxAT	B54xxAT-TT	
Wire Capacity: 0.035" (0.9mm) - 5/64" (2.0mm)	xx = Standard lengths of 10, 12, 15, 20, and 25 ft. Custom lengths also available.		

#	Part Number	Description
1.	B4491	Nozzle - Brass 3/4" I.D.
	B4591	Nozzle - Copper 3/4" I.D.
	B4591HD	Nozzle - Copper, Heavy Duty 3/4" I.D.
B4492		Nozzle - Brass 9/16" I.D.
	B4495	Nozzle - Brass 5/8" I.D.
	B4592	Nozzle - Copper 9/16" I.D.
	B4592HD	Nozzle - Copper, Heavy Duty 9/16" I.D.
	2.	B1589
B1596		Contact Tip, Long, .040" (1.0mm)
B1590		Contact Tip, Long, .045" (1.2mm)
B1598		Contact Tip, Long, .052" (1.4mm)
B1591		Contact Tip, Long, 1/16" (1.6mm)
B1592		Contact Tip, Long, 5/64" (2.0mm)
B7489		Contact Tip, .035" (0.9mm)
B7496		Contact Tip, .040" (1.0mm)
B7490		Contact Tip, .045" (1.2mm)
B7498		Contact Tip, .052" (1.4mm)
B7491	Contact Tip, 1/16" (1.6mm)	
B7492	Contact Tip, 5/64" (2.0mm)	
3.	GT035H	Contact Tip, H.D. Threaded, .035" (0.9mm)
	GT040H	Contact Tip, H.D. Threaded, .040" (1.0mm)
	GT045H	Contact Tip, H.D. Threaded, .045" (1.2mm)
	GT364H	Contact Tip, H.D. Threaded, 3/64" (1.3mm)
	GT052H	Contact Tip, H.D. Threaded, .052" (1.4mm)
	GT116H	Contact Tip, H.D. Threaded, 1/16" (1.6mm)
	GT564H	Contact Tip, H.D. Threaded, 5/64" (2.0mm)
4.	GD114	Diffuser, 1/4" Recess, for GT Tips
	GD118	Diffuser, 1/8" Recess, for GT Tips
	GD100	Diffuser, Flush, for GT Tips
5.	B4635	Head Assembly, for Long Contact Tip
	B4635-116	Head Assembly w/ Tube
6.	B4435	Head Assembly
	B4435-116	Head Assembly w/ Tube
7.	B4423R	Silicone Cap
8.	B5469	Body Tube Assembly
9.	B1518	Spacer Kit
9a.	B608	Handle Screw
10.	B4617	Insulator Spacer
11.	B408	Handle Kit
12.	B422	Trigger Switch Assembly
13.	B418	Trigger Switch Screw
14.	B4466	End Fitting
15.	B4416	Cone Nut



#	Part Number	Description
16.	B4992	Clamp, Conduit
17.	B457	Trigger Terminal
18.	B683	Clamp, Jacket
19.	B1060115	400A Cable Assembly, 10'
	B1060116	400A Cable Assembly, 12'
	B1060117	400A Cable Assembly, 15'
	B1060118	400A Cable Assembly, 20'
	B1060119	400A Cable Assembly, 25'
20.	B2520041-S	Strain Relief Spring
21.	B2520066	Strain Relief Kit
22.	B2280056	Screw
23.	BGN2021	Electrical Plug, Miller
24.	B4719	Electrical Plug, Lincoln
25.	B1010027R	Adaptor Block
26.	R214-1	Power Pin w/ O-Rings, Miller
27.	R214-116	Power Pin Tip, Miller .035" - 1/16"
28.	R414-11-2	O-Ring, Miller
29.	R214	Power Pin w/ O-Rings, Tweco 4
30.	R414-1	O-Ring, Tweco 4
31.	C44C	Set Screw
32.	B214-2	Power Pin, Lincoln "LN"
33.	B4816	Euro Connector Nut
34.	B5060CM	Euro Connector Plug
35.	B4421	O-Ring, Euro
36.	B2520041-S	Strain Relief Spring
37.	B1880074	Rigid Strain Relief Kit
38.	B4925	Locking Sleeve
39.	B4901	Quick Connect Body
40.	B4924	Lead Wire
41.	B4919	Gas Pin Assembly
42.	B4916	Wave Spring
43.	B4912	Snap Ring, Small
44.	B4911	Snap Ring, Large
45.	B2200140	Power Pin, Bernard EZ
	B1880259B	Bernard Quick Disconnect Kit (38-45)
46.	L1A-15	Liner Assembly, 15', .023"-.030"
	L2A-15	Liner Assembly, 15', .030"-.035"
	L3A-15	Liner Assembly, 15', .035"-.045"
	L4A-15	Liner Assembly, 15', .045"- 1/16"
	L6A-15	Liner Assembly, 15', 5/64"

Liners are also available in 25' lengths



WARNING!

Please Read All Safety Instructions



WARNING

- Read and follow the manufacturer's instructions, employer's safety practices, and Material Safety Data Sheets (MSDSs).
- Only qualified personnel should install, use, or service this material and/or equipment.



ELECTRIC SHOCK can kill.

- Always wear dry installing gloves.
- Do not touch live electrical parts.
- Always disconnect power source before hooking up or changing electrodes, nozzles and other parts.



WELDING SPARKS can cause fire or explosion

- Do not weld near flammable material.
- Do not weld on closed containers.
- Remove combustibles from the work area and/or provide a fire watch.
- Avoid oily or greasy clothing as a spark may ignite them.



LOUD NOISE can damage hearing.

- Always wear protective hearing devices to ensure protection when noise levels exceed OSHA standards.



ARC RAYS can injure eyes and burn skin.

- Always wear correct eye, ear, and body protection.
- Always wear a welding helmet with the proper grade filter lens. Protect yourself and others from spatter arc rays by using protective screens, barriers and welding curtains.
- Always wear protective gloves and clothing to cover exposed skin. This will aid in the prevention of arc and spatter burns.



FUMES AND GASES can be hazardous to your health.

- Keep your head out of the fumes.
- Use enough ventilation or exhaust at the arc to keep fumes and gases from your breathing zone, and general area.
- Fumes from cutting and welding can deplete air quality, causing injury or death. Always wear an air supplied respirator in confined areas, or if breathing air is not safe.

Read America Nation Standard Z49.1, "Safety in Welding, Cutting, and Allied Processes," available from America Welding Society, 550 N.W. LeJeune Rd., Miami, FL 33126;

OSHA Safety and health standards, available from U.S. Government Printing Office, Washington DC 20402

CM INDUSTRIES

INC.

505 OAKWOOD ROAD LAKE ZURICH, IL 60047

PH: 847-550-0033 FX: 847-550-0444

www.cmindustries.com